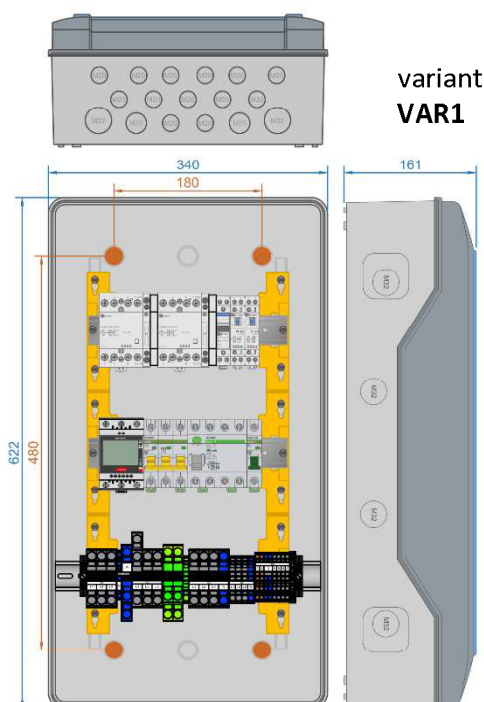
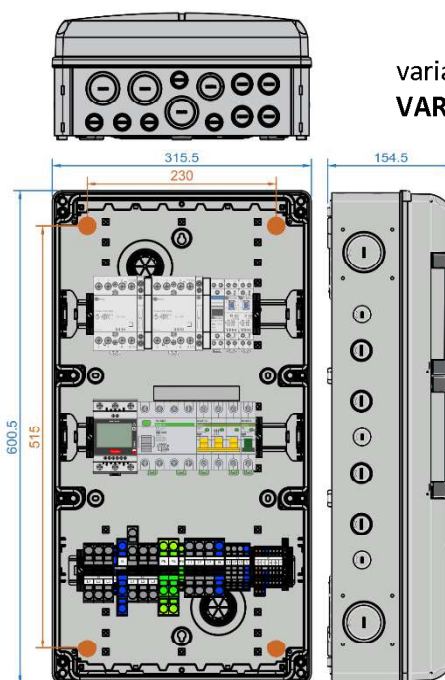


Designation	Switchover Box for Fronius SYMO GEN24 Plus – All-pole - Standard
Application	Fronius SYMO GEN24 Plus System „Full Backup“
Region	Germany - Switzerland
Battery inverter	Symo GEN24 6.0 Plus /8.0Plus/10.0 Plus
Monitoring & Control	Fronius Smart Meter TS65A-3 – „Touchscreen“ is integrated
Grid structure	3PH 230/400V – TT or TN-S system, <b>NO TN-C</b> in customer's system!



variant  
**VAR1**



variant  
**VAR2**

All values in [mm]  
Dimensions „blau“  
Fastening points „orange“

Minimum distances  
Top 200  
bottom 400  
lateral 200  
front 1.200

## SCOPE OF DELIVERY

Quantity	Designation
1	Switchover Box 10015613 - VAR1
2	Cable gland M40x1,5
4	Cable gland M32x1,5
2	Cable gland M20x1,5
2	Enlargement adaptor from M32 to M40
2	Enlargement adaptor from M25 auf M32
-/-	-/-
2	Locknut M32
2	Locknut M25
2	Locknut M20
1 set	Cover caps for fastening screws
1 set	Protective cover for Fronius Smart Meter
1	Warning label „dangerous voltage“
1	Fronius label „Backup power“
1	Operating instructions Fronius Smart Meter
1	Installation instructions

Quantity	Designation
1	Switchover Box 10015613 - VAR2
3	Cable gland M40x1,5
4	Cable gland M32x1,5
2	Cable gland M20x1,5
-/-	-/-
-/-	-/-
3	Locknut M40
4	Locknut M32
-/-	-/-
2	Locknut M20
1 set	Cover caps for fastening screws
1 set	Protective cover for Fronius Smart Meter
1	Warning label „dangerous voltage“
1	Fronius label „Backup power“
1	Operating instructions Fronius Smart Meter
1	Installation instructions



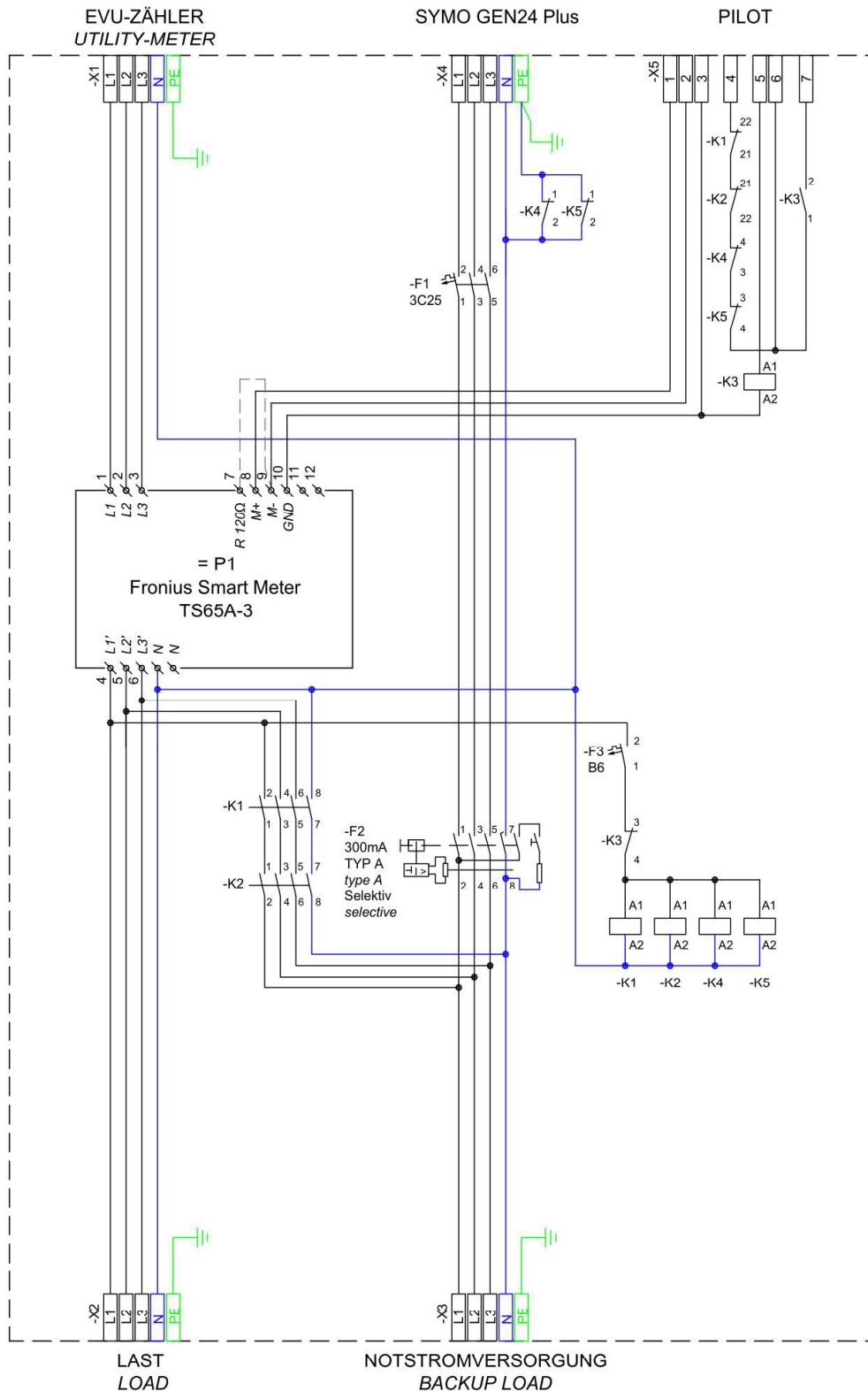
# DATA SHEET

Switchover Box - Fronius SYMO GEN24 Plus – „Full Backup“

3PH\_FRO\_BBDAP\_20KW\_3PH

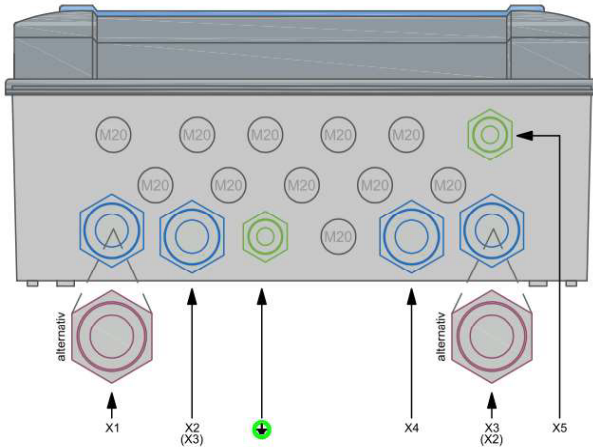
Art.Nr. 10015613

## INTERNAL CIRCUITRY

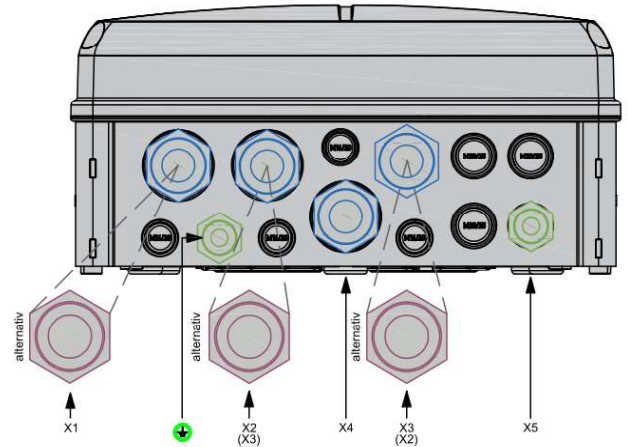


## CABLE ENTRY AND CONNECTION

Enclosure variant  
**VAR1**



Enclosure variant  
**VAR2**



Cable gland	Terminal block	Clamping range ca. [mm]	Type of litz wire	Max. cross section [mm <sup>2</sup> ]	Stripping length [mm]
M32	X1 – Grid	19-25	solid /stranded	16	18 – 20
M40		16-28	fine stranded fine stranded + wire end ferrule	25 16	
M32	X2 – Load „Standard“	19-25	solid /stranded	16	18 – 20
M40		16-28	fine stranded fine stranded + wire end ferrule	25 16	
M32	X3 – Load „Backup“	19-25	solid /stranded	16	18 – 20
M40		16-28	fine stranded fine stranded + wire end ferrule	25 16	
M32	X4 – Symo GEN24 Plus	19-25	solid /stranded	10	13 - 15
			fine stranded	10	
			fine stranded + wire end ferrule	6	
M20	X5 – Data cable	6-13	solid /stranded	2,5	10 – 12
			fine stranded	2,5	
			fine stranded + wire end ferrule	1,5	
M20	PE – equipotential bonding rail	6-13	solid /stranded	16	18 – 20
			fine stranded	25	
			fine stranded + wire end ferrule	16	

## TECHNICAL DATA

• applicable / - not applicable

### NOMINAL VALUES

Rated voltage	[V]	3PH – 230/400
Rated insulation voltage	[V]	400
Operating frequency	[Hz]	50/60 ±5%
Max. prospective* short circuit current	[kA]	10
Permitted grid structure		TT / TN-S
Grid disconnection		all-pole
Max. grid-side packup fuse (gL/gG)	[A]	63
Max. thermal throughput power		
t <sub>a</sub> = 40°C	[kW]	20
t <sub>a</sub> = 25°C	[kW]	30 <sup>#</sup>
Standby-loss, ca.	[W]	14

### CIRCUIT BREAKERS AND RESIDUAL CURRENT CIRCUIT BREAKERS

F1	Symo GEN24 Plus	MCB	[A]	3C25
F2	Symo GEN24 Plus	RCD	type A– selective	63/0,3A
F3	Control circuit „Grid“	MCB	[A]	B6

### CONTACTORS (IEC/EN 61095; IEC/EN60947-1; IEC 60947-5-1)

K1/K2	Grid disconnection	AC1	[A]	63
K4/K5	Earthing device	AC1	[A]	25
K3	Communication	AC1	[A]	20
K1/K2/K4/K5	Control voltage		[VAC]	230
K3	Control voltage		[VDC]	12
Hum-free			•/-	•

### ENERGY METER

Manufacturer	Fronius
Type	TS65A-3

### GENERAL DATA

Dimensions WxHxD <b>VAR1</b> (without cable glands)	[mm]	340x622x161
Dimensions WxHxD <b>VAR2</b> (without cable glands)	[mm]	315x600x155
Weight, ca.	[Kg]	11
Operation temperature range t <sub>a</sub>	[°C]	-5...+40
Temperatur-transport/storage (24 Std. 70°C)	[°C]	-25...+55
Humidity – condensing allowed	•/-	-
Humidity – permitted range	[%]	5...95
Max. altitude above sea level	[m]	2.000
Protection class IP (EN 60529)		
t <sub>a</sub> = 40°C	IP	65
t <sub>a</sub> = 25°C	IP	44 <sup>#</sup>
Outdoor suitability (protected area)	•/-	-
Installation type		Indoor
Protection against electric shock (EN 61140)		II
Enclosure material		Polycarbonate
RoHS-conformity (2011/65/EU)	•/-	•
Colour of enclosure		similar RAL7035
Cover		transparent
Mounting method		wall mounting
Locking system		tool-free

### MISCELLANEOUS

Customs tariff number	85371098
-----------------------	----------

### ACCESSORY (not included in scope of delivery)

Ventilation valves <sup>#</sup>	2 x
Legrand article number	036579
<b>VAR2 requires additionally:</b>	
Reduction adaptor	2 x M40/M32
Locknut	2 x M40

\* Is the maximum, unaffected continuous short-circuit current of the mains connection.

# When operating the switchover box with 30KW max. thermal throughput power, the use of 2 x ventilation valves is required (diagonal air flow – positioning bottom left and top right e.g.; knockouts are available)  
Protection class is being reduced to IP44.

## EC DECLARATION OF CONFORMITY



The product, designation	<b>3PH_FRO_BBDAP_20KW_3PH</b>
variants	<b>VAR1 / VAR2</b>
article number	<b>10015613</b>
manufacturer	<b>enwitec electronic GmbH &amp; Co. KG Scherrwies 2 84329 Rogglfing (Wurmannsquick)</b>
description	<b>Switchover Box for Fronius system Symo GEN24 Plus – „Full Backup“</b>

to which this declaration relates, is in conformity to the following standards or normative documents:

<b>EN 61439-1</b>	<b>Low-voltage switchgear and controlgear assemblies</b>
<b>EN 61439-2</b>	<b>Power switchgear and controlgear assemblies</b>
<b>EN 61439-3</b>	<b>Distribution boards intended to be operated by Ordinary persons (DBO)</b>

and is in accordance with the provisions of the following EC-directives:

**Low-voltage directive 2014/35/EU**  
**Restrictions of Hazardous Substances Directive 2011/65/EU (RoHS)**

Year of affixing CE-marking **2021**

Date of issue **17.11.2020**

enwitec electronic GmbH & Co. KG



Name/Signature

Johann Wimmer  
CEO